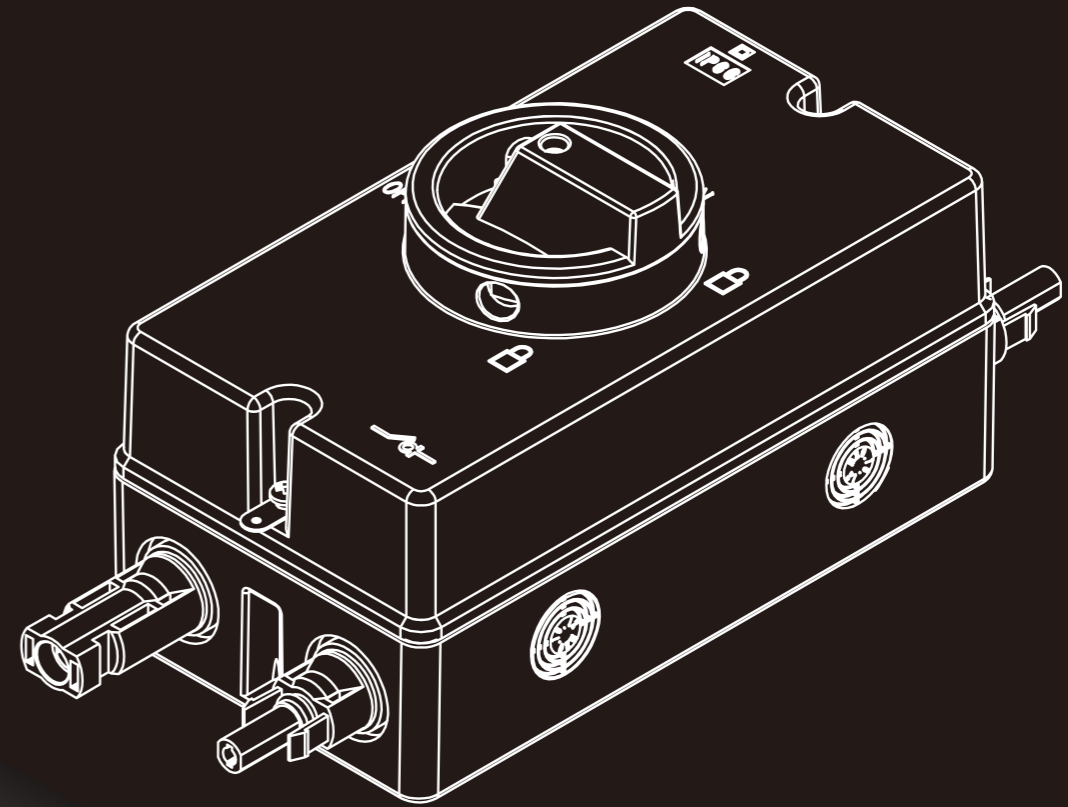


IPL3DC DC ISOLATOR SWITCH

INFINITE POWER SDN BHD

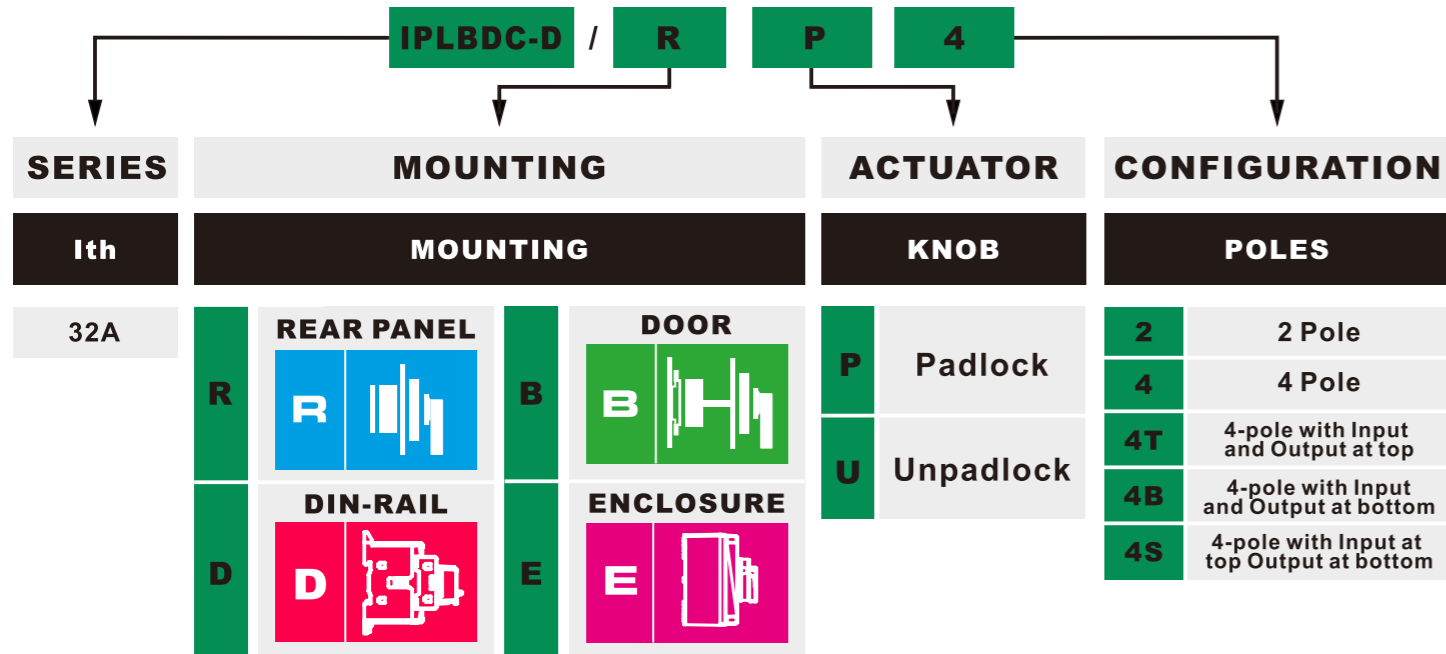


No. 19 Jalan Utarid U5/28, 40150
Shah Alam, Selangor, Malaysia

www.infinitepowersb.com
senthil@infinitepowersb.com

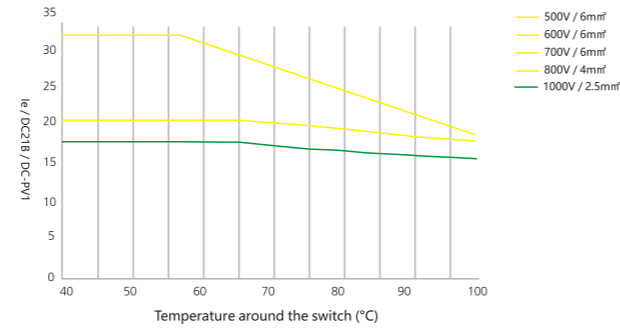
IPLBDC DC ISOLATOR SWITCH

ITEM CODE EXPLANATION



Main Circuit Technical Data (4P)

Terminal Designation	1;3;5;7;2;4;6;8
Terminal Type	Screw Terminal
Conductor Type	4-16mm ² (solid or standard)
	4-16mm ² (Flexible)
Stripping length	8mm
Tightening Torque (M4)	1.2Nm-1.8Nm



Parameter	300V		600V		800V		1000V		Pole
	DC-PV1	DC-PV2	DC-PV1	DC-PV2	DC-PV1	DC-PV2	DC-PV1	DC-PV2	
IPLBDC-D32/2	32A	32A	32A	32A	32A	16A	16A	9A	2
IPLBDC-D32/4	32A	32A	32A	32A	32A	16A	16A	9A	4
IPLBDC-D32/4S	32A	32A	32A	32A	32A	32A	32A	32A	4
IPLBDC-D32/4T	32A	32A	32A	32A	32A	32A	32A	32A	4
IPLBDC-D32/4B	32A	32A	32A	32A	32A	32A	32A	32A	4

Configuration	2 Pole	4 Pole	4-pole with Input and Output at top	4-pole with Input and Output at bottom	4-pole with Input at top Output at bottom
Pole	2	4	4T	4B	4S
Contact Diagram					
Wiring graph					

IPLBDC DC ISOLATOR SWITCH

IPLBDC-D32/RU
PANEL MTG. NORMAL KNOB

IPLBDC-D32/RP
PANEL MTG. PADLOCK KNOB

IPLBDC-D32/BU
DOOR INTERLOCK MTG. NORMAL KNOB

IPLBDC-D32/BP
DOOR INTERLOCK MTG. PADLOCK KNOB

IPLBDC DC ISOLATOR SWITCH

DIMENSION AND MOUNTING SIZE

IPLBDC-D32/DP
DIN-RAIL MTG. PADLOCK KNOB

IPLBDC-D32/EP
ENCLOSURE SWITCH, PADLOCK KNOB

IPLBDC DC ISOLATOR SWITCH

ITEM CODE EXPLANATION

IPLBDC-E / R P 4			
SERIES	MOUNTING	ACTUATOR	FUNCTION
Ith	MOUNTING	KNOB	POLES
IPLBDC-E16 IPLBDC-E25 IPLBDC-E32 IPLBDC-E40 IPLBDC-E55	Ø22 Hole R	P Padlock U Unpadlock	2 3 4 6 8 2H
	DIN-RAIL D		3H 4H 4S 4T 4B
	DOOR B		

Technical Data

Rated insulation voltage	1500V	Cable Cross-sectional	4-16mm ² (solid/stranded); 4-10mm ² (flexible)
Mechanical life	10,000 cycles	Overtoltage category	III
Distance of contacts (per pole)	8mm	Utilization category	DC-PV1
Pollution degree	3	Torque of terminal screws M4.	1.2-1.8Nm

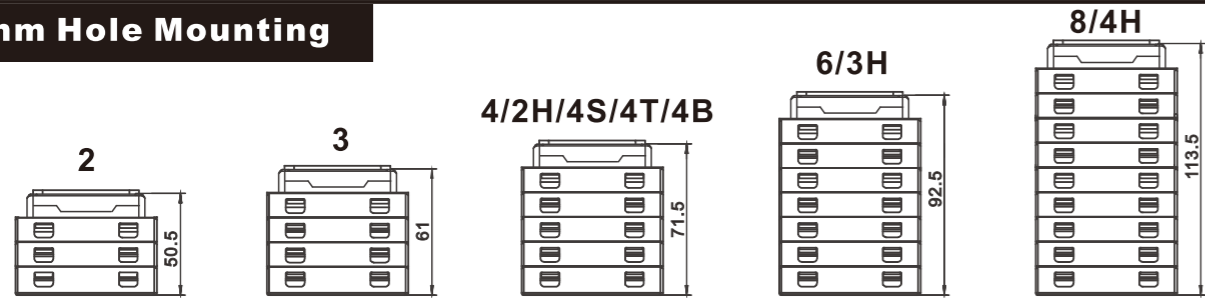
POLES	2/3/4/6/8					POLES	4S/4T/4B				
CODE	E16	E25	E32	E40	E55	CODE	E16	E25	E32	E40	E55
Standard : IEC60947-3/GB14048.3 Utilization Category: DC-PV1											
600VDC (Ie)	16A	25A	32A	40A	55A	600VDC (Ie)	16A	25A	32A	40A	55A
800VDC (Ie)	16A	20A	23A	30A	45A	800VDC (Ie)	16A	25A	32A	40A	55A
1000VDC (Ie)	9A	11A	13A	20A	25A	1000VDC (Ie)	16A	25A	32A	40A	55A
1200VDC (Ie)	6A	8A	10A	10A	15A	1200VDC (Ie)	16A	25A	32A	40A	55A
POLES	2H					3H			4H		
CODE	E16	E25	E32	E40	E55	E16	E25	E32	E16	E25	E32
600VDC (Ie)	29A	45A	50A	64A	80A	29A	45A	50A	29A	45A	58A
800VDC (Ie)	16A	20A	23A	30A	45A	29A	38A	45A	29A	45A	58A
1000VDC (Ie)	9A	11A	13A	20A	25A	29A	38A	45A	29A	45A	58A
1200VDC (Ie)	6A	8A	10A	10A	15A	12A	14A	16A	29A	45A	50A

IPLBDC DC ISOLATOR SWITCH

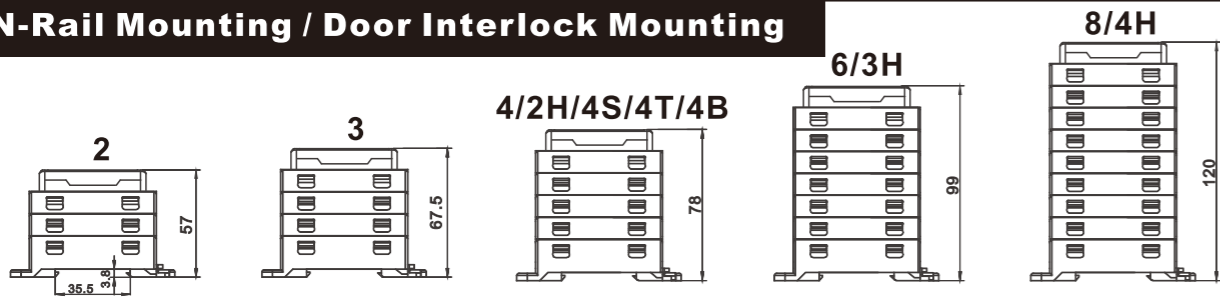
DIMENSION AND MOUNTING SIZE

Height of switch boy in different function

22mm Hole Mounting



DIN-Rail Mounting / Door Interlock Mounting

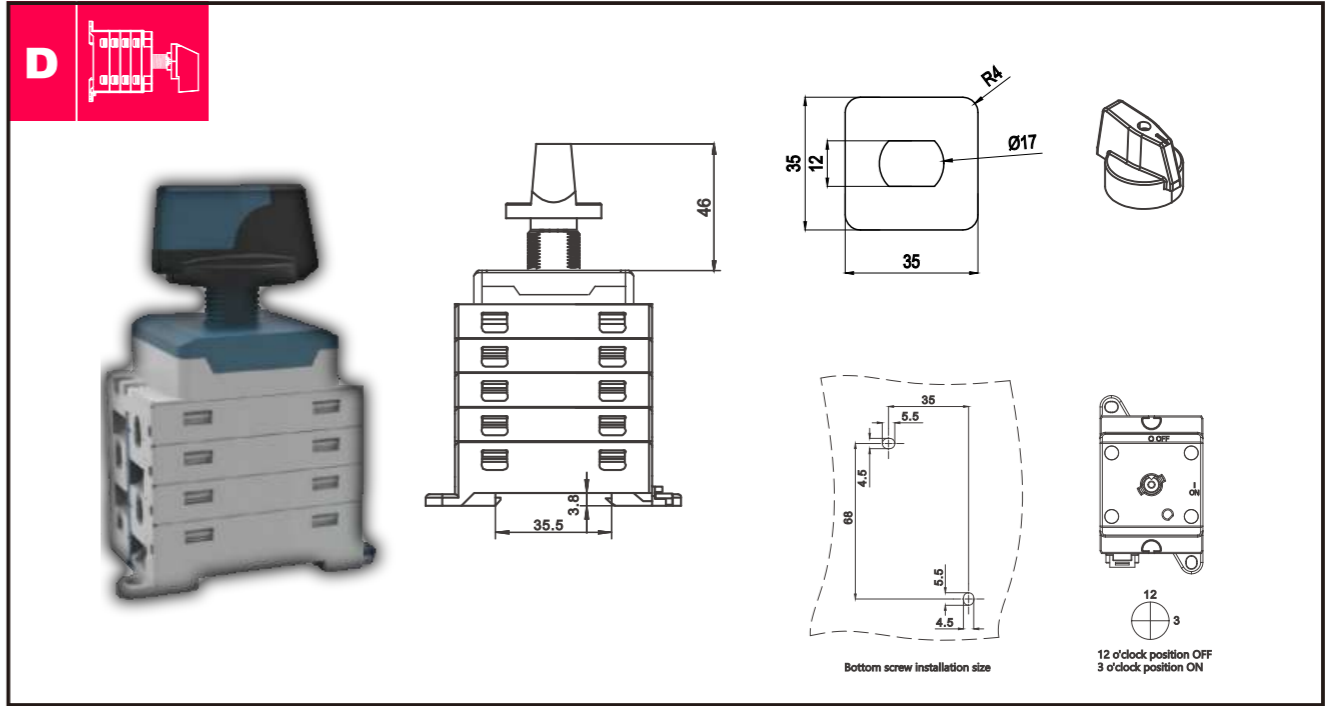


IPLBDC DC ISOLATOR SWITCH

DIMENSION AND MOUNTING SIZE

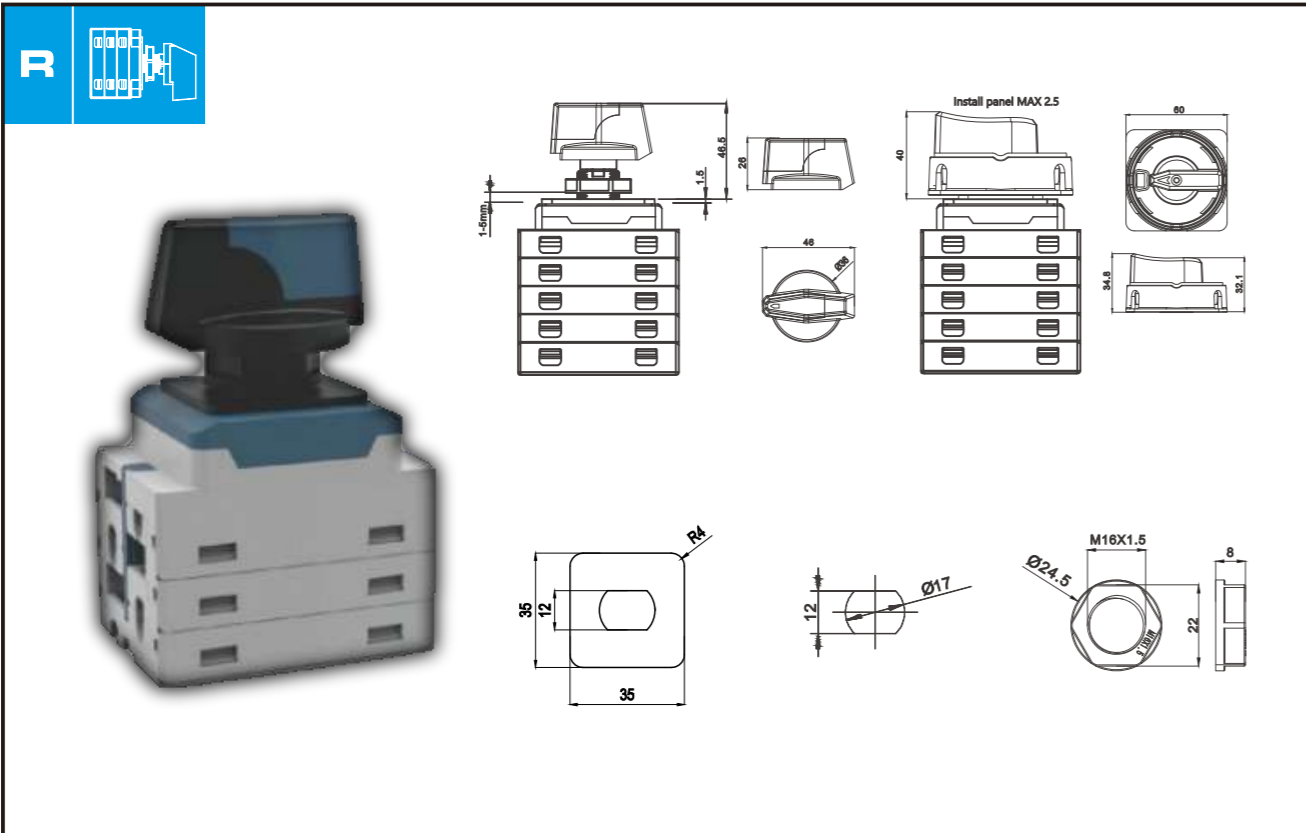
IPLBDC-E/D

DIN-RAIL MOUNTING



IPLBDC-E/R

22MM HOLE MOUNTING



IPLBDC-E/B

DOOR INTERLOCK MOUNTING

